

JL 150

Electric compact crane

The Crane 150 Compact

The counterweighted crane JL150 by Just Lift with electric lift is the most compact and ergonomic on the market. Created to facilitate the lifting and handling of light weights of any type up to 150 kg, thanks to its small size it can be used in aisles and confined spaces. One of the strengths is the ball bearing which makes the 360 ° rotating movement fluid and light. The JL150 crane by Just Lift has been designed to speed up and optimize all operations related to lifting and logistics, increasing productivity and at the same time ensuring maximum safety and ergonomics for the operator.

JL 150

JL110.720

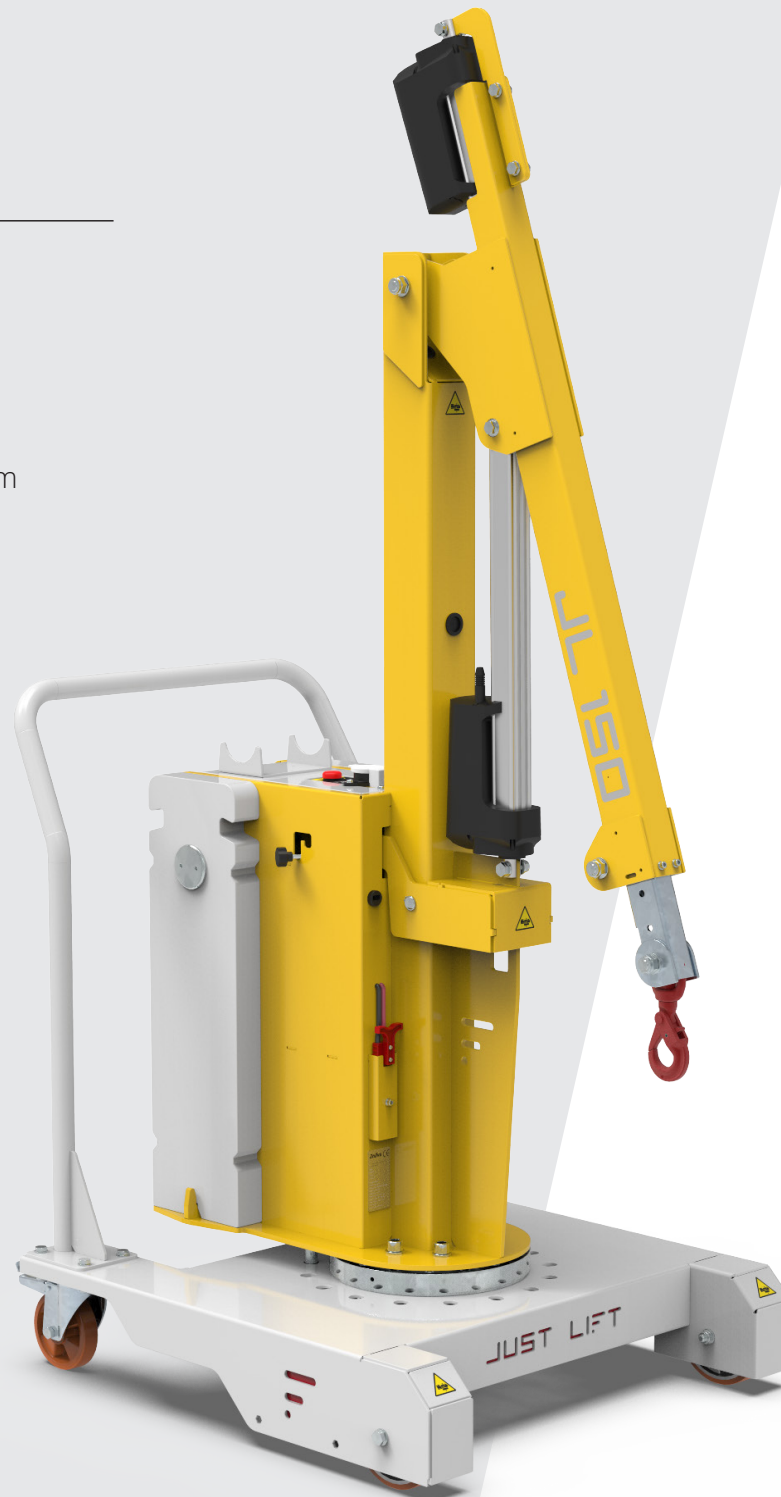


150 kg



1.050 mm

- It can lift loads up to 150 kg.
- Manual push guide.
- Arm controls with Wire control.
- Lift and extension with electric system.
- Standard Anti-tipping system.
- 100% electric.



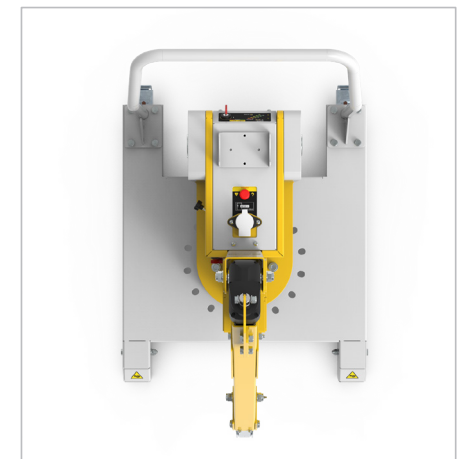
👁️ **Front View**

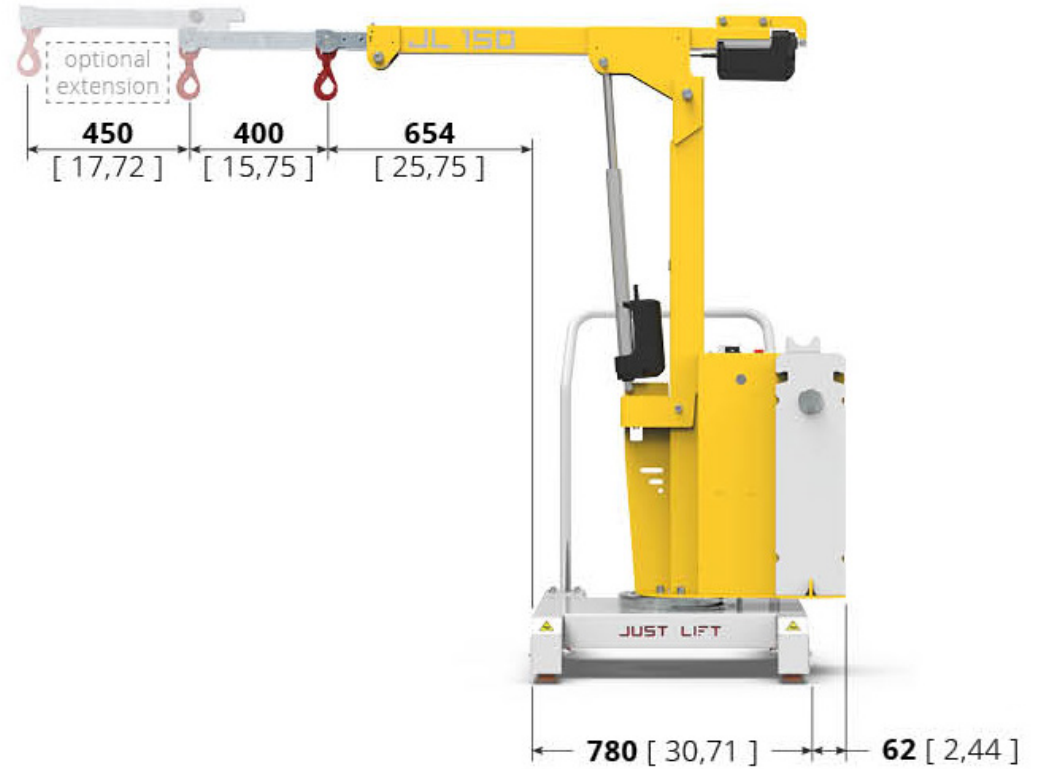
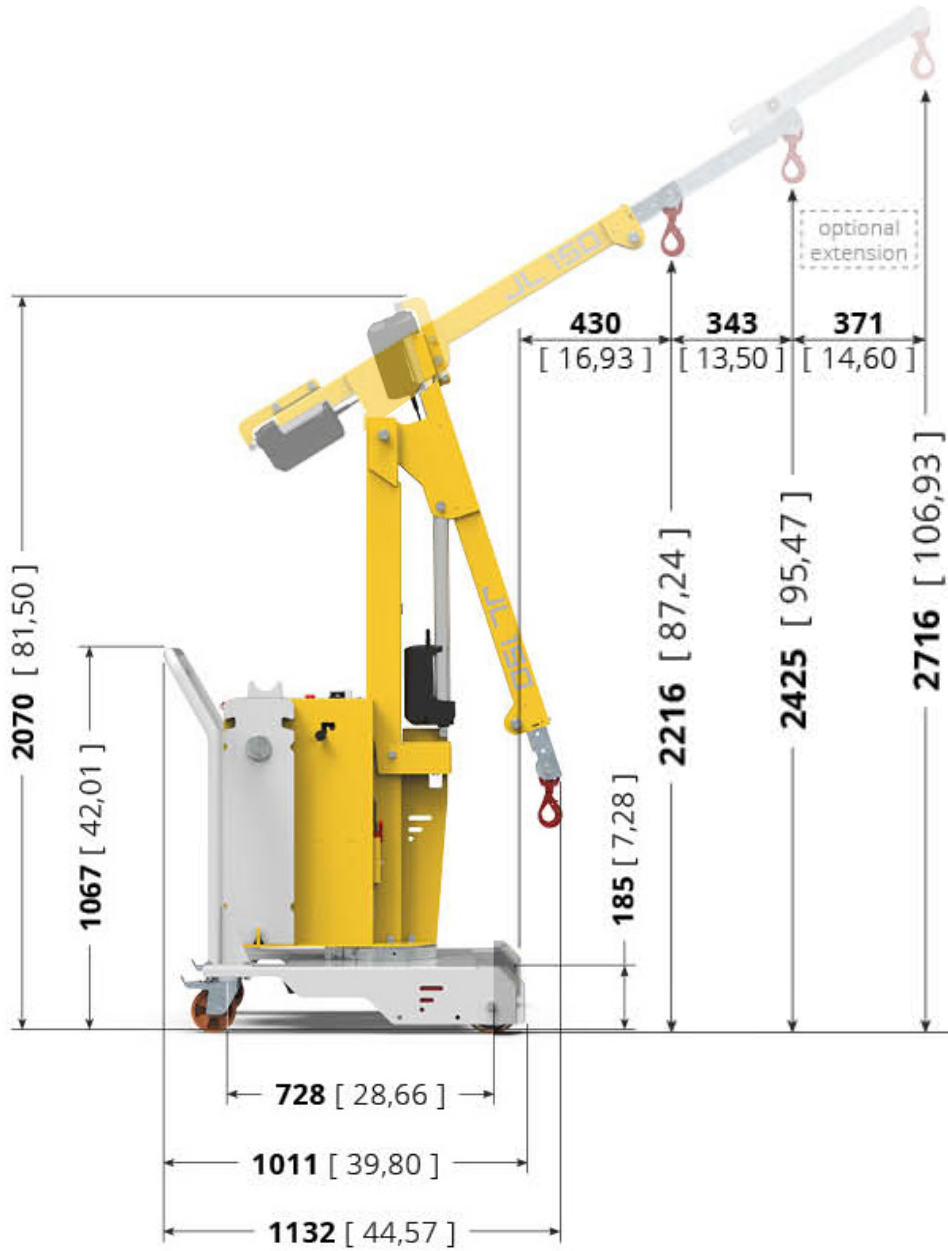


👁️ **Side View**

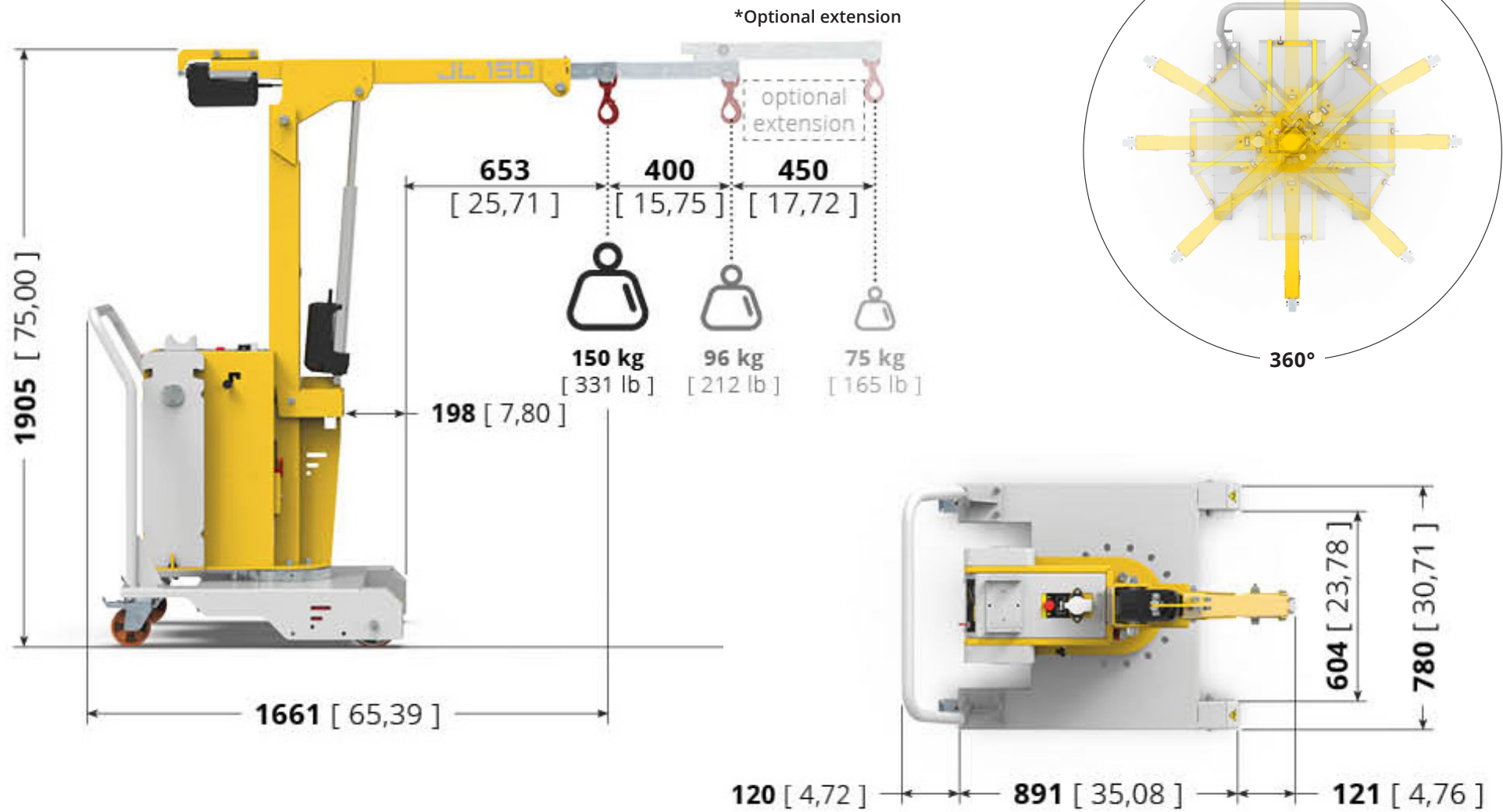


👁️ **Top View**





	<p>TABLE: JL110.720</p>	<p>JL 150</p>	<p>Unit: mm [inch]</p>
--	--------------------------------	---------------	-------------------------------



<p>Zollys[®]</p>	<p>TABLE: JL110.720</p>	<p>JL 150</p>	<p>Unit: mm [inch]</p>
----------------------------------	------------------------------------	---------------	-------------------------------

Wire control

The wire control allows you to lift the load with one hand and maneuver it to the correct position with the other. Its **ergonomic design** allows you to work many hours without tiring your hand. **The structure** is shock resistant in case of falls of less than one meter from the ground. **The push-button** panel allows the 4 movements of the arm, the horn and the emergency stop in case of need.

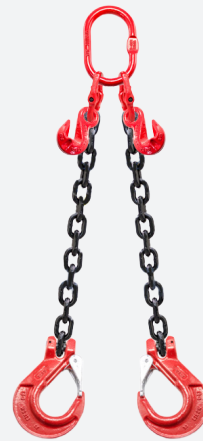


ACCESSORIES

Arm kit for every need



EXTENSION KIT FOR CRANE
ARM 450 MM



2-ARM CHAINS WITH
SHORTENERS (GKN)



4-ARM CHAINS WITH
SHORTENERS (GKN)



Examples of applications

on various production sectors



METALLURGICAL INDUSTRY





• • • the passion for moving

Zallys srl srl - Via Palazzina 1, Sarcedo
36030 (VI) - Italia

Contacts:

sales@zallys.com
+39 0445 366785

Web site:

www.zallys.com

